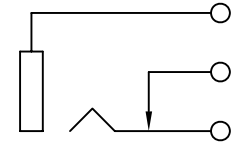
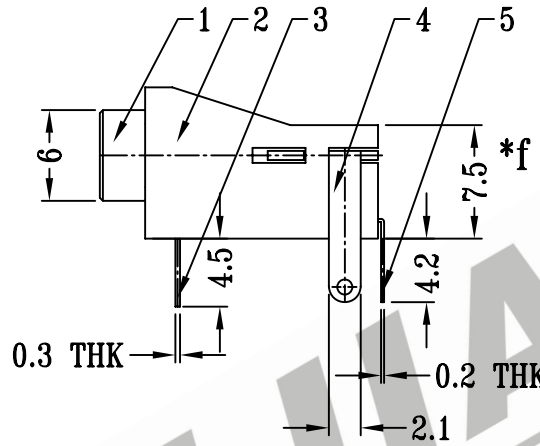
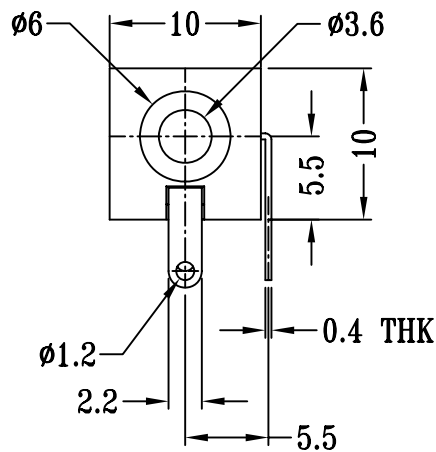
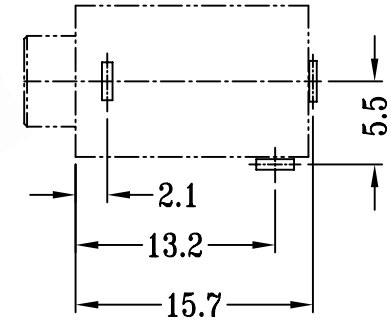
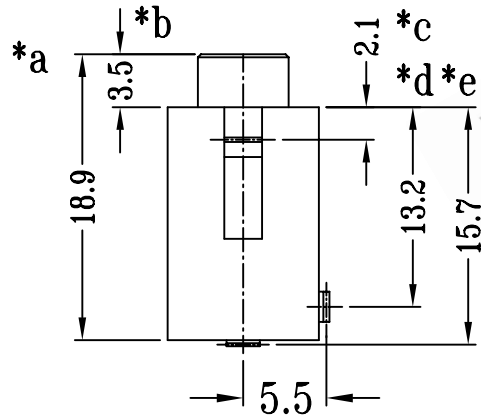


CAD FILE:



SCHMATIC



P.C.B LAYOUT

OLD MODEL NO.	FUNCTION	BUSHING	CONTACTFORM
PY-601-C	MONO	THREAD	3
PY-601-N	MONO	UN-THREADED	3
PY-602-N	MONO	UN-THREADED	1

注:带"*"表示关键尺寸(6个)

NO.	PARTS	MATERIALS	Q'TY	FINISH	TOLERANCE UNLESS SPECIFIED	SHENZHEN XIEJIA ELECTRONICS CO.,LTD.																										
8						<table border="1"> <tr> <td>ISSUE</td> <td>DATE</td> <td>DESCRIPTIONS OF REVISION</td> <td>APPD.</td> </tr> </table>				ISSUE	DATE	DESCRIPTIONS OF REVISION	APPD.																			
ISSUE	DATE	DESCRIPTIONS OF REVISION	APPD.																													
7					WITHIN: 1.5 ±0.1mm OVER: 1.5 ±0.2mm																											
6						<table border="1"> <tr> <td colspan="2">TITLE : PHONE JACK</td> <td>UNIT : mm</td> <td colspan="2">DRWG NO.: XJ-DR-PY601-00</td> </tr> <tr> <td colspan="2">MODEL: PY-601</td> <td>SCALE: 2:1</td> <td>DWN.</td> <td>ZHOUYU</td> <td>2005-10-5</td> </tr> <tr> <td colspan="2"></td> <td></td> <td>CHK'D</td> <td>FANGYING</td> <td>2005-10-5</td> </tr> <tr> <td colspan="2"></td> <td></td> <td>APPD.</td> <td>KANGXINAN</td> <td>2005-10-5</td> </tr> </table>				TITLE : PHONE JACK		UNIT : mm	DRWG NO.: XJ-DR-PY601-00		MODEL: PY-601		SCALE: 2:1	DWN.	ZHOUYU	2005-10-5				CHK'D	FANGYING	2005-10-5				APPD.	KANGXINAN	2005-10-5
TITLE : PHONE JACK		UNIT : mm	DRWG NO.: XJ-DR-PY601-00																													
MODEL: PY-601		SCALE: 2:1	DWN.	ZHOUYU	2005-10-5																											
			CHK'D	FANGYING	2005-10-5																											
			APPD.	KANGXINAN	2005-10-5																											
5	SPRING TERMINAL	PBS/STAINLESS STEEL	1	Ag PLATED OVER Ni PLATED																												
4	TERMINAL	BRASS STRIP	1	Ag PLATED OVER Ni PLATED																												
3	CONTACT	BRASS STRIP	1	Ag PLATED OVER Ni PLATED																												
2	CASE	PC/ABS	1	BLACK																												
1	SOCKET	BRASS	1	Ni PLATED																												
					ALL MATERIALS MUST BE COMPLIANT TO ROHS																											